

# MP-12FC



**MP-12FC** is a brand new member of Multi-Par series which comes with 12pcs high power CREE Quad-color LED, delivering amazing color mixing and wash effect. Succeed to heavy duty die-cast housing as Multi-Par, makes it as a perfect tool for rental, stage, discos, clubs and mobile Djs.

### Construction

- Stylish and easy installation design.
- Excellent ventilation, ensuring reliable working.

### Control

- DMX512 control channel: 4/5/7(3 modes).
- Three operation modes: DMX, Master/Slave, Sound active.
- Big heat sink and thermal sensor ensures the unit works at proper temperature.
- LED display for easy navigation.
- Data in/out: 3-pin XLR.

### RDA

- Remote DMX addressing(RDA): DMX address can be set remotely by iLead2420 controller or CA-T DMX tester.

### Beam angle

- 20degree.
- Individually designed lens for easy change.

### Optics

- Great optical system, delivering powerful output.
- High quality CREE LED diodes & single lens.

### Dimmer and strobe

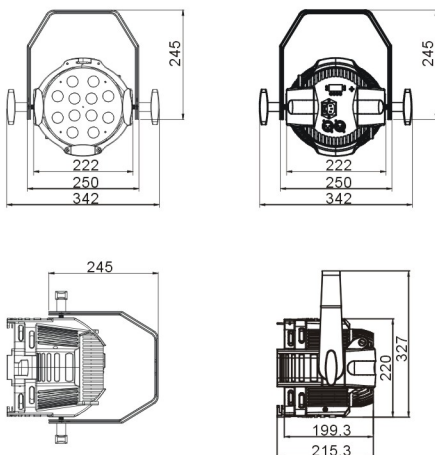
- 0-100% dimmer and various strobe effects
- 1KHz scanning frequency avoid flickering under camera

### Specification

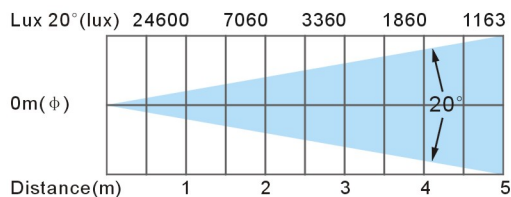
- Power supply: AC100V-240V.
- Power consumption: 156W.
- LED: 12×10 Quad-color LED.
- Size: 301×327×215mm.
- Weight: 6 kg.



## Dimensions



## Luminous intensity



# Litecraft®