



Product Specification Sheet

Aclaim Axial Zoomspot



A 600W variable beam profile with precise beam control and pattern projection from a high output beam.

Safe and easy to use, the Aclaim Axial Zoomspot offers efficiency, strength and performance with a choice of two beam angle ranges.

Features

Available in 18°-34° or 24°-44° beam angles.

Interchangeable lens tray between Medium and Wide versions.

Beam adjustable from smooth, flat beam for pattern projections to high intensity peak distribution for stage washes.

Unique easy to use and precise adjustable beam Peak-Flat mechanism.

Captive shutters offering wider degree of masking angles.

Heat control in – beam filter.

Slot provided for Iris or rotatable (35°) pattern holder.

'Swing-down' doors for easy access to lens cleaning.

Mains isolation via micro -switch when back is removed for lamp changes.

Constructed of pressure die-castings and aluminium extrusion.

Lamps 220V -240V

600W

GKV

15,000 lumens 400 hours average life

GLB

13,000 lumens 1500 hours average life

Approvals

Fully compliant to CE standards.



Photometric data

Tests conducted using a standard GKV, 600W, 240V, lamp.

		Beam Diameter in m									
Beam angle	18 degrees	0	0.63	1.27	1.90	2.53	3.17	3.80	4.43	5.07	
Beam angle	34 degrees	0	1.22	2.45	3.67	4.89	6.11	7.34	8.56	9.78	
Beam angle	24 degrees	0	0.85	1.70	2.55	3.40	4.25	5.10	5.95	6.80	
Beam angle	44 degrees	0	1.62	3.23	4.85	6.46	8.08	9.70	11.31	12.93	

		Light Output in Lux									
Lamp 240V GKV 600W	18°	Peak	27124	6781	3014	1695	1085	753	554	424	
		Flat	16452	4113	1828	1028	658	457	336	257	
	34°	Peak	16252	4063	1806	1016	650	451	332	254	
		Flat	9124	2281	1014	570	365	253	186	143	
	24°	Peak	23752	5938	2639	1485	950	660	485	371	
		Flat	8752	2188	972	547	350	243	179	137	
	44°	Peak	12500	3125	1389	781	500	347	255	195	
		Flat	6252	1563	695	391	250	174	128	98	

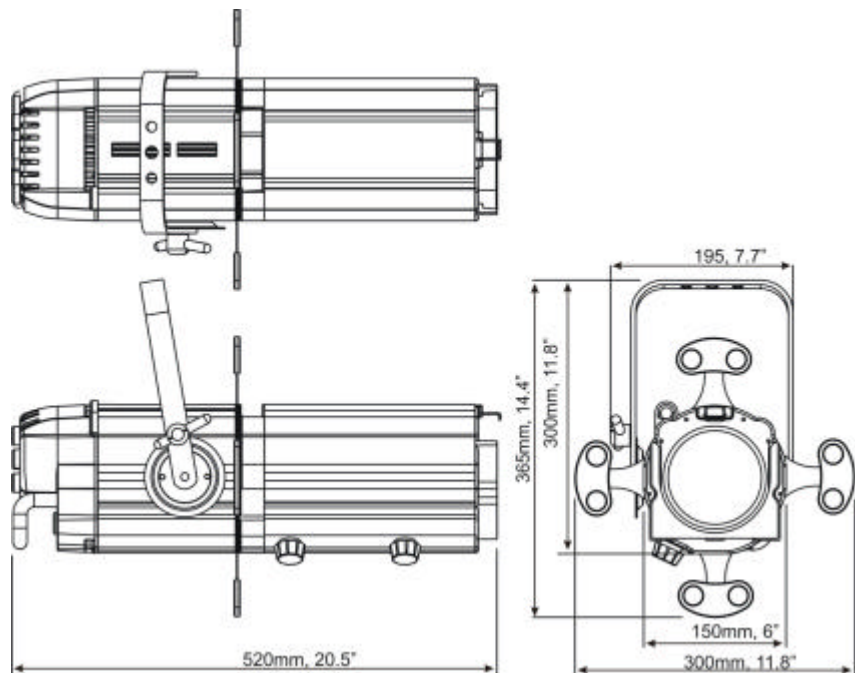
Physical data

Weight: 5.6kg

Colour Frame Size: 125mm x 125mm

Pattern (Gobo) size:M

Included: 1 x colour frame, instruction leaflet.



Selecon reserves the right to change the specifications without notice